



INSTRUCTION BULLETIN

No. 340832
Machine: T20
Published: 07-2011
Rev. 00

NOTE: DO NOT DISCARD the Parts List from the Instruction Bulletin. Place the Parts List in the appropriate place in the machine manual for future reference. Retaining the Parts List will make it easier to reorder individual parts and will save the cost of ordering an entire kit.

NOTE: Numbers in parenthesis () are reference numbers for parts listed in Bill of Materials.

Installation instructions for **kit number 9003282**

SYNOPSIS:

This kit contains the parts needed to install a spray nozzle kit onto T20 scrubbers equipped with the optional power wand.

Please follow step-by-step instructions.

SPECIAL TOOLS / CONSIDERATIONS: NONE

(Estimated time to complete: 1.5 hours)



PROTECT THE ENVIRONMENT

Please dispose of packaging materials, old machine components, and hazardous fluids in an environmentally safe manner according to local waste disposal regulations.

Always remember to recycle.

PREPARATION:

1. Completely empty the recovery tank and solution tank. Refer to the Operators Manual for instructions.
2. Park the machine on a clean level surface, turn off the machine, engage the parking brake, and remove the key.

FOR SAFETY: Before leaving or servicing machine, stop on level surface, turn off machine, set parking brake, and remove key.

INSTALLATION:

1. Cut the hose connected to the outlet port on the pump approximately 7" from the pump. Refer to Fig. 1.
2. Use a hose clamp (6) to connect the y-fitting (5) to the 7" hose connected to the pump outlet port. Refer to Fig. 1.
3. Use another hose clamp (6) to connect the loose end of the hose from the power wand quick-disconnect fitting on the rear bumper to the y-fitting (5). Refer to Fig. 1.

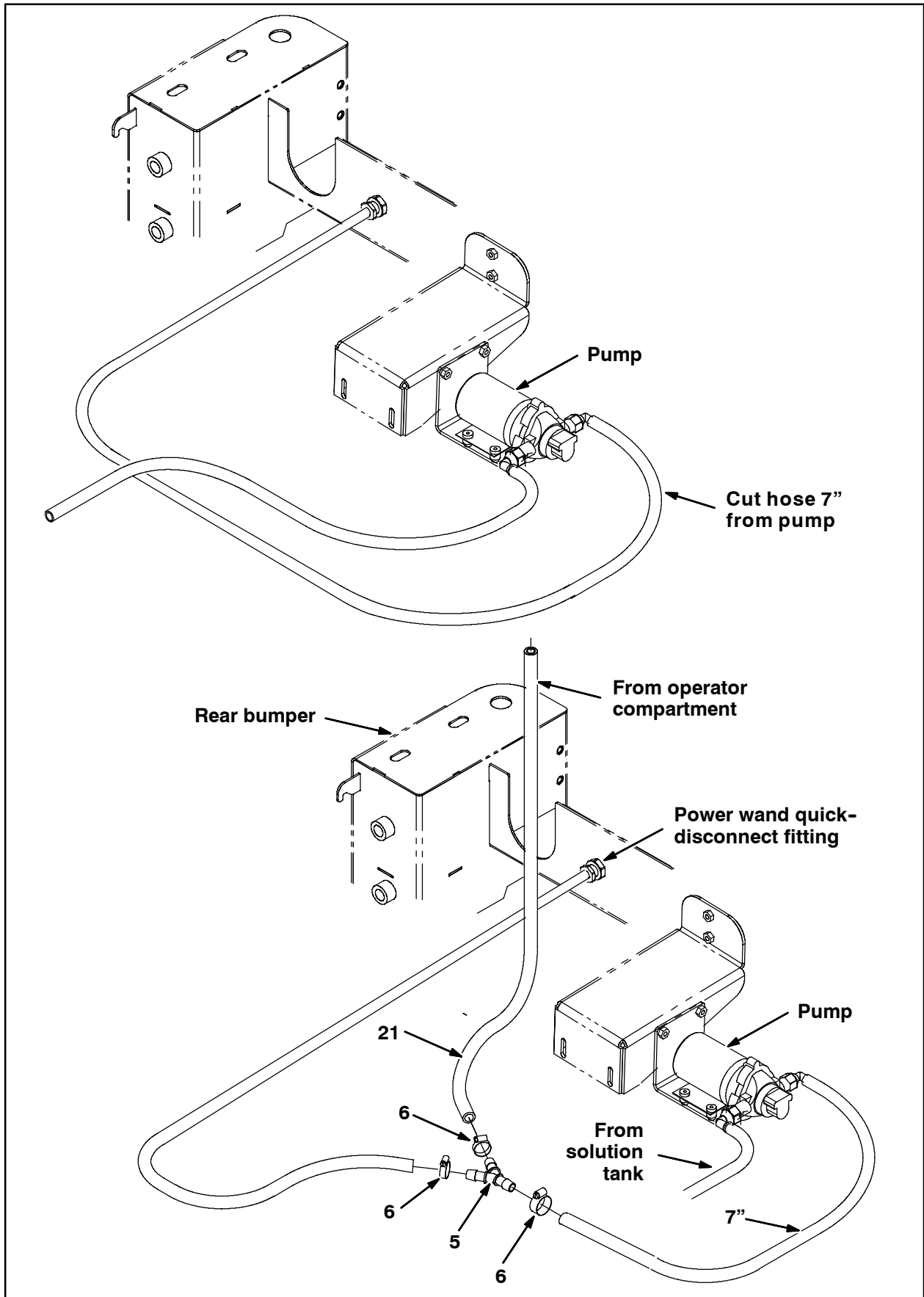


FIG. 1

4. Remove the panel from the rear corner of the operator compartment. Set the panel and hardware (A) and (B) aside. Refer to Fig. 2.
5. Remove the plug from the panel removed from the machine in the previous step. Discard the plug. Refer to Fig. 2.
6. Remove the lock washer and nut from straight fitting (11) and use the lock washer and nut to install the straight fitting into the rear of the operator compartment where the plug was previously located. Refer to Fig. 2.
7. Apply sealant onto the threads of the 90° plastic fitting (1) and install the fitting into the straight fitting (11) installed in the rear of the operator compartment. Refer to Fig. 2.
8. Use a hose clamp (6) to connect the PVC hose (21) to the 90° plastic fitting (1) installed in the previous step. Refer to Fig. 2.
9. Route the PVC hose (21) down to the y-fitting (5) connected to the 7" hose from the pump outlet port. Refer to Fig. 2.
10. Cut excess length from the PVC hose (21) and use a hose clamp (6) to connect the PVC hose to the y-fitting (5). Refer to Fig. 2.
11. Apply sealant onto the threads at one end of the coiled water hose (7) and install the hose into the straight fitting (11) installed in the rear of the operator compartment. Refer to Fig. 2.
12. Use hardware (B) to reinstall the panel into the rear corner of the operator compartment. Refer to Fig. 2.
13. Use hardware (A) to install the spray handle mounting bracket (10) onto the panel reinstalled in the previous step. Refer to Fig. 2.
14. Thread the straight brass fitting (9) into the spray gun (8). Refer to Fig. 2.
15. Apply sealant onto the threads at the other end of the coiled water hose (7) and thread the spray gun (8), with brass fitting already installed (9), onto the coiled water hose. Refer to Fig. 2.

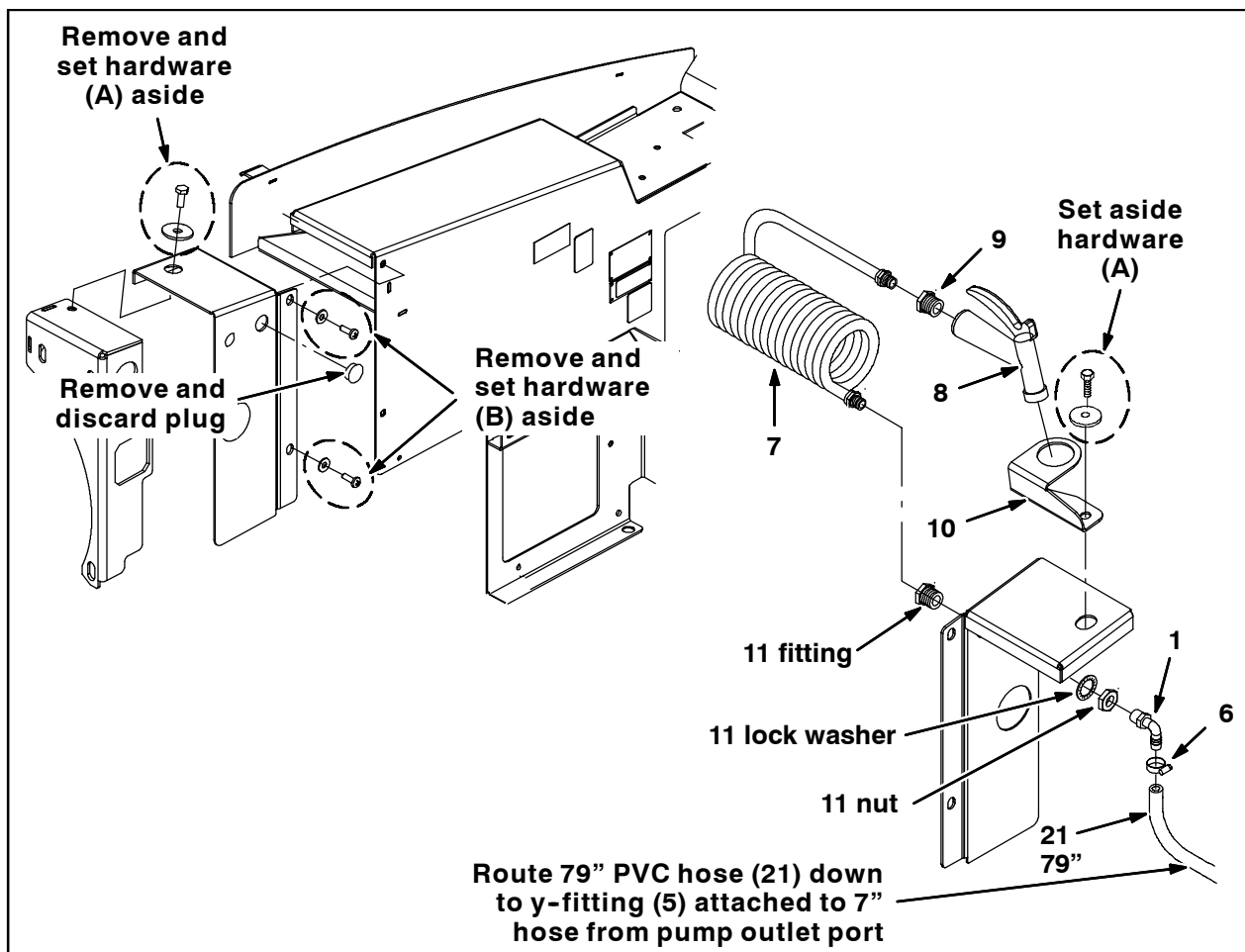


FIG. 2

16. Use two hex screws (4) and two flat washers (3) to install the spray wand mounting bracket (2) onto the recovery tank. Refer to Fig. 3.

NOTE: The spray wand mounting bracket (2) only needs to be installed if the machine is not already equipped with a bracket. Discard the new bracket or replace old existing bracket with new bracket.

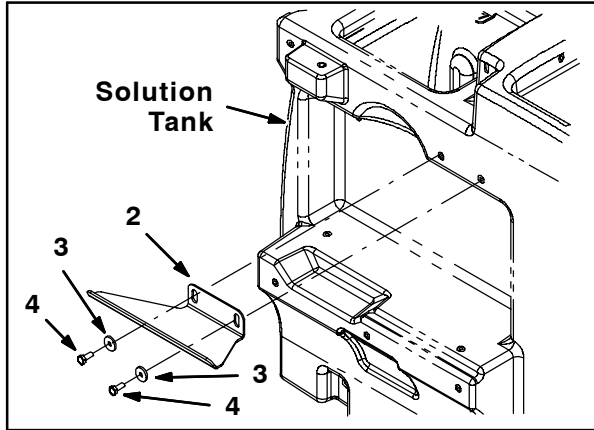


FIG. 3

17. Apply sealant onto the threads of the nozzle (19) and thread the nozzle into the wand (22). Refer to Fig. 4.

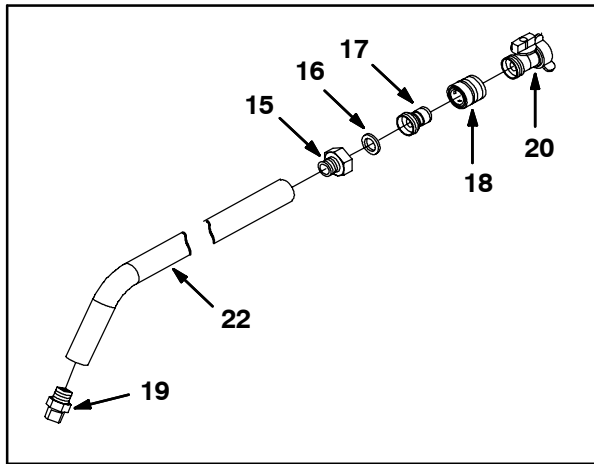


FIG. 4

18. Apply sealant onto the threads of the straight brass fitting (15) and thread the fitting into the other end of the wand (22). Refer to Fig. 4.

19. Insert the rubber flat washer (16) into the straight brass fitting (15) installed in the previous step. Refer to Fig. 4.

20. Thread the hose nipple (17) into the spray nozzle coupling (18). Refer to Fig. 4.

21. Thread the hose nipple (17) / spray nozzle coupling (18) assembled in the previous step into the straight brass fitting (15). Refer to Fig. 4.

22. Thread the shutoff valve (20) into spray nozzle coupling (18). Refer to Fig. 4.

23. Drill two 1/8" holes into the engine shroud. Refer to Fig. 5 for locations of holes drilled into the shroud.

24. Use a hex screw (13) and three flat washers (14) to install each clip (12) onto the engine shroud. Refer to Fig. 5.

25. Insert the wand assembly into the clips (12).

26. Fill the solution tank.

27. Start the machine and test the spray nozzle and clean out wand. Check around the hose connections for leaks.

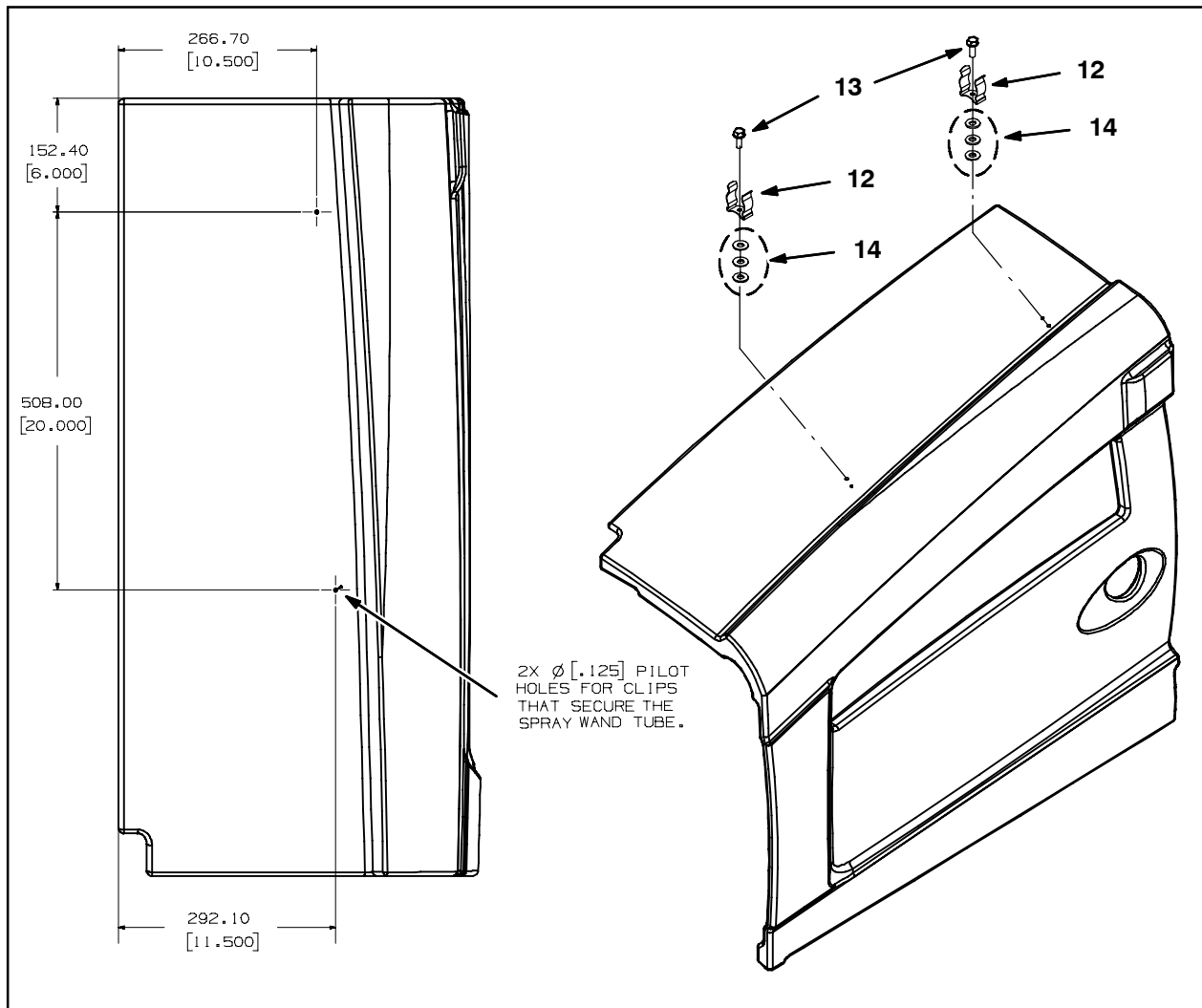


FIG. 5

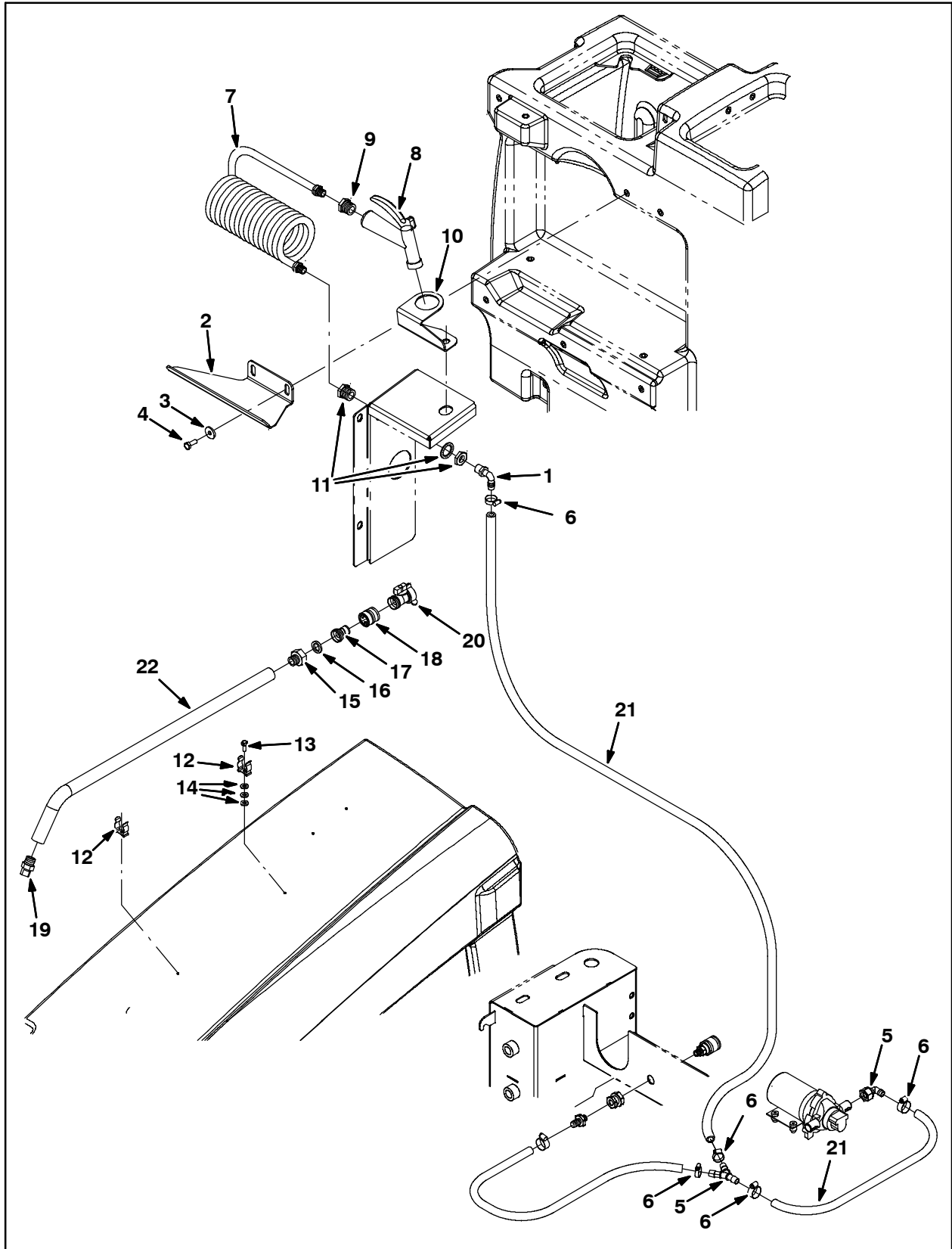


FIG. 6

Bill Of Materials For Nozzle Kit, Spray, w/Power Wand, CI - 9003282

Ref.	Tennant Part No.	Description	Qty.
▽	9003282	Nozzle Kit, Spray, W/Power Wand, CI	1
▲	1 64778	Fitting, Plstc, E90, Bm08/Pm06	1
▲	2 1029790	Bracket, Mtg, Spray Wand [Fast, Conv]	1
▲	3 1017218	Washer, Flat, 0.32b 1.00d .12, SS	2
▲	4 09740	Screw, Hex, M8 X 1.25 X 20, SS	2
▲	5 1010668	Fitting, Plstc, Y, Bm08/Bm08/Bm08, Nyl	1
▲	6 63810	Clamp, Hose, Wormdrive, 0.56-1.06d, .56w	4
▲	7 1019250	Hose, Water, Coil, 0.38id 0.56od	1
▲	8 769785	Nozzle, Spray, Gun	1
▲	9 1027976	Fitting, Brs, Str, Pf06/Pm12	1
▲	10 1027237	Bracket, Mtg, Spray Handle	1
▲	11 1027978	Fitting, Brs, Str, Pf06/Pf06 Bh	1
▲	12 1029057	Clip, Grip, Finger, .875-1.25	2
▲	13 20394	Screw, Hex, #10-16 X 0.62, Fmg [Ab]	2
▲	14 01683	Washer, Flat, #10, SS	6
▲	15 375321	Fitting, Brs, Str, Pm08/Garden Hose	1
▲	16 01316	Washer, Flat, 0.66b 1.00d .12, Rbr	1
▲	17 1029153	Fitting, Brs, Spcl [Garden Hose]	1
▲	18 1029155	Coupling, Nozzle, Spray	1
▲	19 1029156	Nozzle	1
▲	20 1029399	Valve, Shutoff	1
▲	21 1011837	Hose, Afmkt, Pvc, Brd, 0.50id, 12ft, Clr	1
▲	22 1029055	Wand, Clean-Out	1

TENNANT COMPANY
P. O. Box 1452
Minneapolis, MN 55440-1452